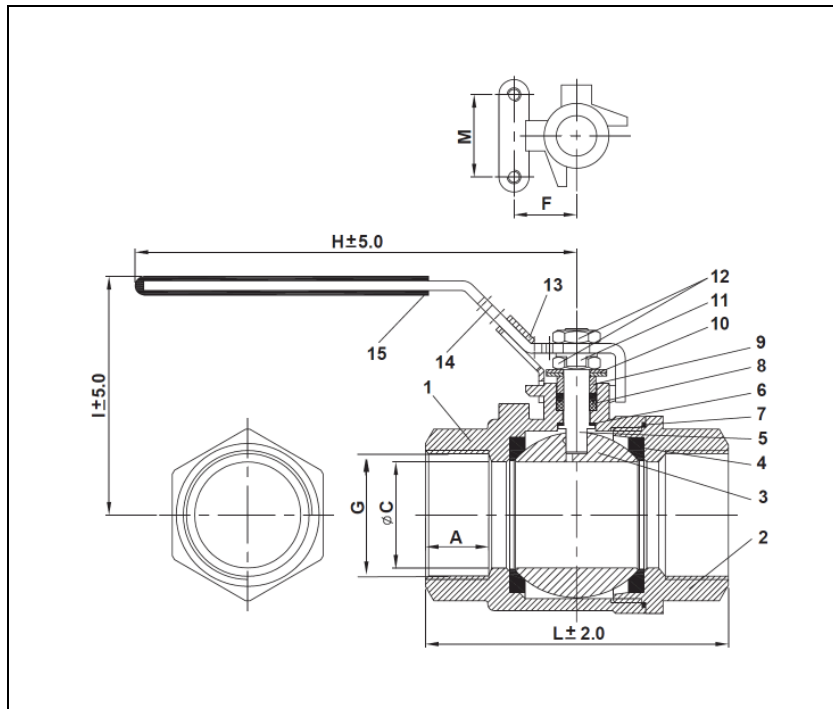


# BALL VALVES RK-PROBALL

KH 2T M (NC), ¼" - 2", PN63, 2 ½" - 3", PN40



Ball valves with threaded ends  
acc. to EN 10226-1 / EN ISO 228-1  
full bore  
face to face acc. to DIN 3202-M3

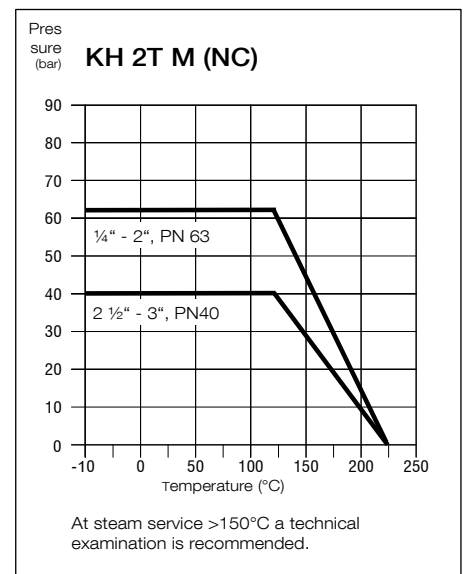
### Specification:

Two-piece ball valve, threaded ends acc. to EN 10226-1 / EN ISO 228-1, face to face dimensions acc. to DIN 3202-M3, full bore, blow-out-proof stem, body material stainless steel (1.4408), free of non ferrous metals, seat KFG, stem packing KF, disc spring loaded adjustable, approved by PED, certified acc. to GERMAN clean air act VDI 2440, safety spring locking device is optional.

Marking: RK-Proball  
Type: KH 2T M (NC)-1.4408

No.	Part	Material
1	body	1.4408
2	cap	1.4408
3	ball	1.4408
4	seat	KFG
5	stem	1.4401
6	thrust washer	KF
7	body seal	KF
8	stem packing	KF
9	gland ring	1.4301
10	disc spring	1.4310
11	nut stopper	1.4301
12	stem nuts	1.4301
13	locking device*	1.4301
14	lever	1.4301
15	insulation cover	PVC

\* special type



### Dimensions

DN mm	connection G in inch	PN	dimensions (mm)							torque Nm	weight kg
			A	C	F	M	H	I	L		
8	G 1/4"	63	12.5	11,5	12.7	28.5	115	66	50	4	0.3
10	G 3/8"	63	14	12,5	12.7	28.5	115	66	60	4	0.3
15	G 1/2"	63	17.8	15	12.7	28.5	115	68	75	6	0.4
20	G 3/4"	63	19.1	20	22.1	35	132	77	80	8	0.6
25	G 1"	63	22.6	25	22.1	35	162	82	90	11	1.0
32	G 1 1/4"	63	24.9	32	23.6	38	162	87	110	15	1.4
40	G 1 1/2"	63	24.9	38	23.6	38	205	103	120	25	2.3
50	G 2"	63	29.2	49	28.9	38.5	205	111	140	42	3.3
65	G 2 1/2"	40	33.7	65	35	55	260	152	185	60	7.4
80	G 3"	40	36.8	80	37.5	72	260	161	205	70	11.4

Ordering example:  
KH 2T M (NC), 2", PN 63, 1.4408,  
safety spring locking device